

## Data sheet

## Tabletop Fume hood Compact Line DCL-800 BB



### Standard equipment for fume hoods:

- structure entirely made of galvanized steel without the use of wood-based materials
- toughened glass window, lifted manually with counterweight, opened upwards with a lock on height 500 mm (max 810mm), the window has a system preventing the uncontrolled fall of the window
- energy-saving linear LED lighting separated from the fume hood's working chamber with a glass pane
- a double rear wall system with exhaust gaps in the upper and lower part ensuring the correct extraction of vapors that are lighter or heavier than air, without swirls and dead zones
- safety flap in the ceiling ensuring decompression in the event of uncontrolled pressure increase in the working chamber
- full monitoring set (Schneider brand) of air flow velocity in the fume cupboard window compliant with the PE-EN 14175 standard. : PN-EN 14175; PN-EN 14056; PN-EN 13150

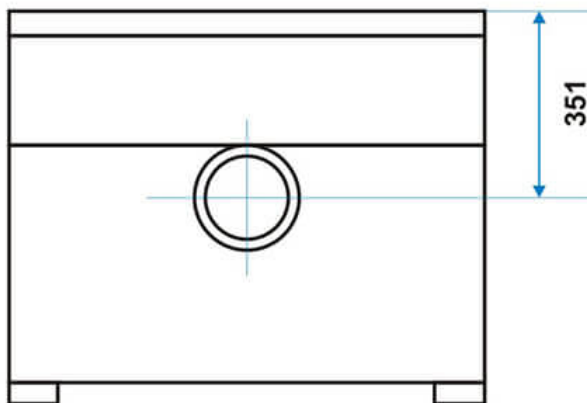
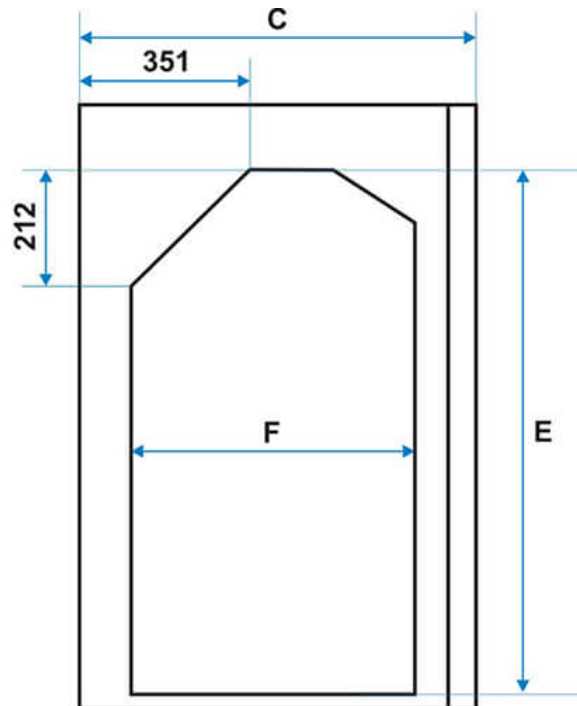
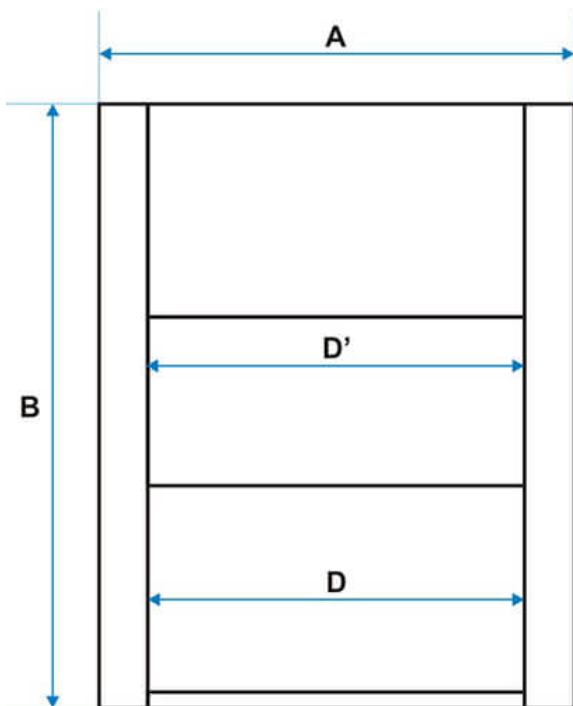
**TECHNICAL DATA - DIMENSIONS**

**overall dims [mm]**

|          |           |
|----------|-----------|
| width A  | 800       |
| height B | 1235-1320 |
| depth C  | 700       |

**working space dims (mm)**

|                 |      |
|-----------------|------|
| width D         | 734  |
| window width D1 | 654  |
| height E        | 1000 |
| depth F         | 430  |



**TECHNICAL DATA**

|  |  |
|--|--|
| recommended airflow [m <sup>3</sup> /h]            | 400 - 650  |
| required capacity of the ventilation system [m/s]  | 0,3 - 0,5  |
| nominal power [W]                                  | 46   |
| voltage**  | 230 VAC 50Hz   |
| diameter of the air outlet stub [mm]               | Ø 160  |
| electrical insulation                              | class I  |
| standard ventilation system                        | double rear wall   |
| illumination installed outside the working chamber | LED, class A ++, through insulating glass / from operator panel  |
| monitoring set                                     | <i>standard:</i><br>- FM 550-A-0-E controller with a speed sensor AFS 100 in the fume hood window and the FA-0025-3 operator panel<br><i>option:</i><br>- ICM 500-F-EU controller with flow control<br>- ICM 500-FP-EU controller with flow control and cooperation with BMS<br>- other Schneider controllers available on request |
| raising the window                                 | <i>standard:</i><br>- manual with counterweight (lock at a height of 500mm, maximum opening 810mm)<br><i>option:</i><br>- SC 500 - Auto Protect system - with foot switch<br>- SC 500 - Auto Protect system - with panel switch  |
| frame and housing material                         | The frame is made entirely of galvanized steel.<br>External housing made of galvanized and painted with epoxy paint steel  |
| working chamber wall finishing                     | galvanized sheet, powder coated with epoxy paint   |
| worktop OPTION (available materials)               | - Monolithic ceramics with marine edge<br>- Phenolic resin, epoxy<br>- Stainless steel AISI 304, 316   |
| warranty   | 24 months  |
| manufacturer                                       | POL-EKO-APARATURA  |

**Other optional equipment:**

- main switch
- anti-shock switch
- safety switch
- 400VAC IP44 socket
- additional 230VAC IP44 sockets
- 230VAC sockets inside the working chamber IP44
- Manual Protect system - battery backup of the monitoring set
- power supply control of the socket with the option of timer setting
- additional gas taps
- metal cabinet key lock under the tabletop
- explosion-proof equipment EX
- side glazing
- truss made of acid-resistant steel, on the back wall of the manipulation chamber
- inspection openings
- flexible strip brush